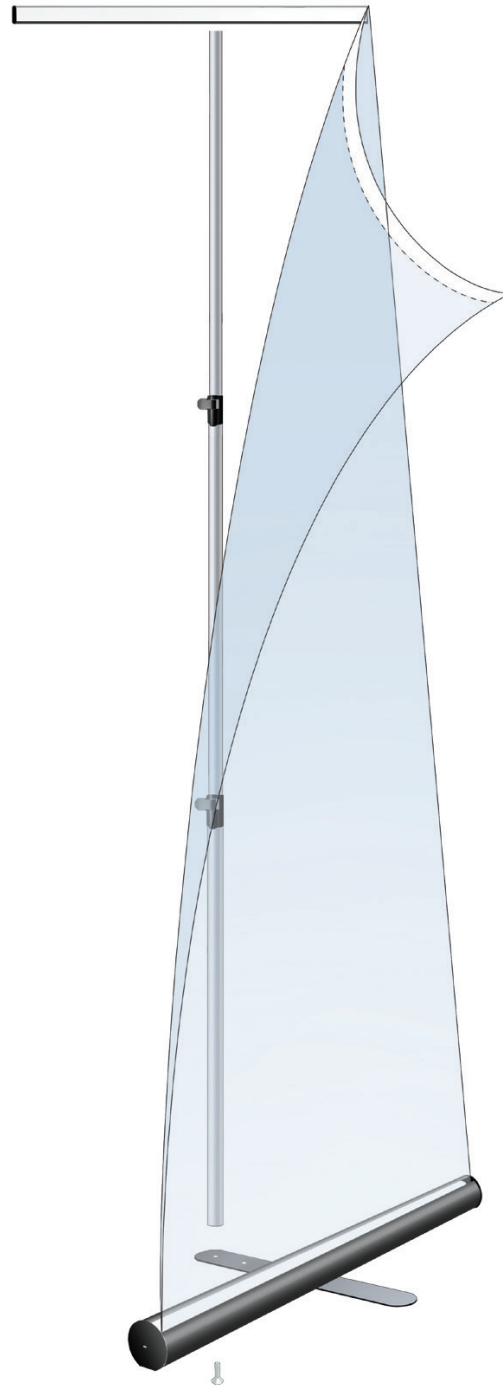
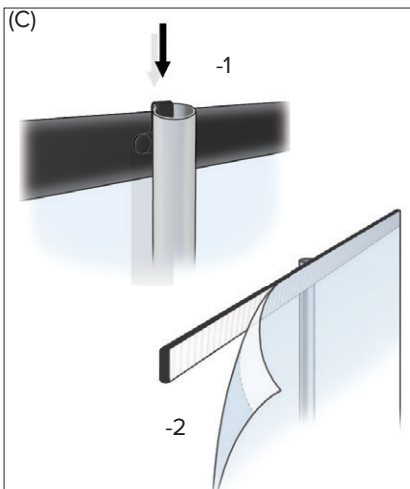
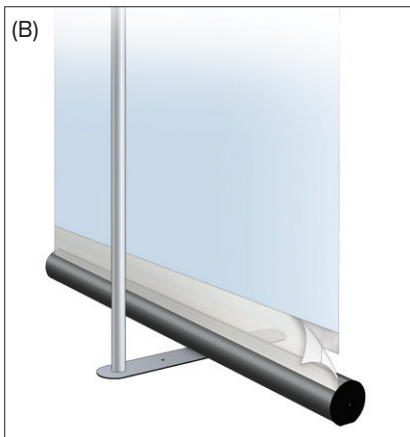
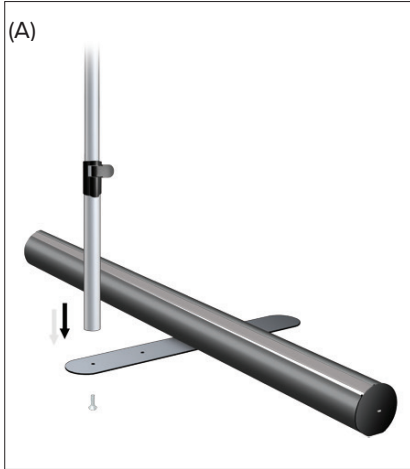


1. Mount pole onto base using flathead screws (if desired, use second hole for angled banner look as shown) (fig. A).
2. Attach banner to retractable vinyl with Velcro hook and loop (fig. B).
3. Hook top crossbar into pole (fig. C-1) and attach banner (fig. C-2).
4. Open to desired height and lock.



20190517